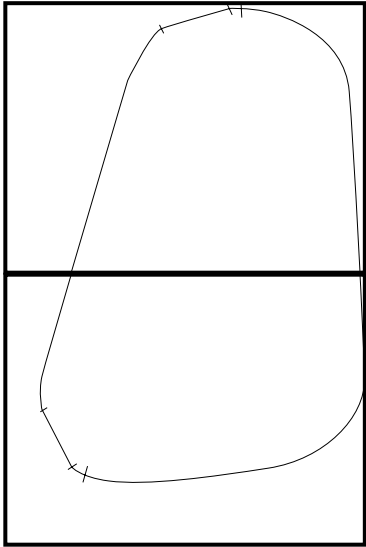
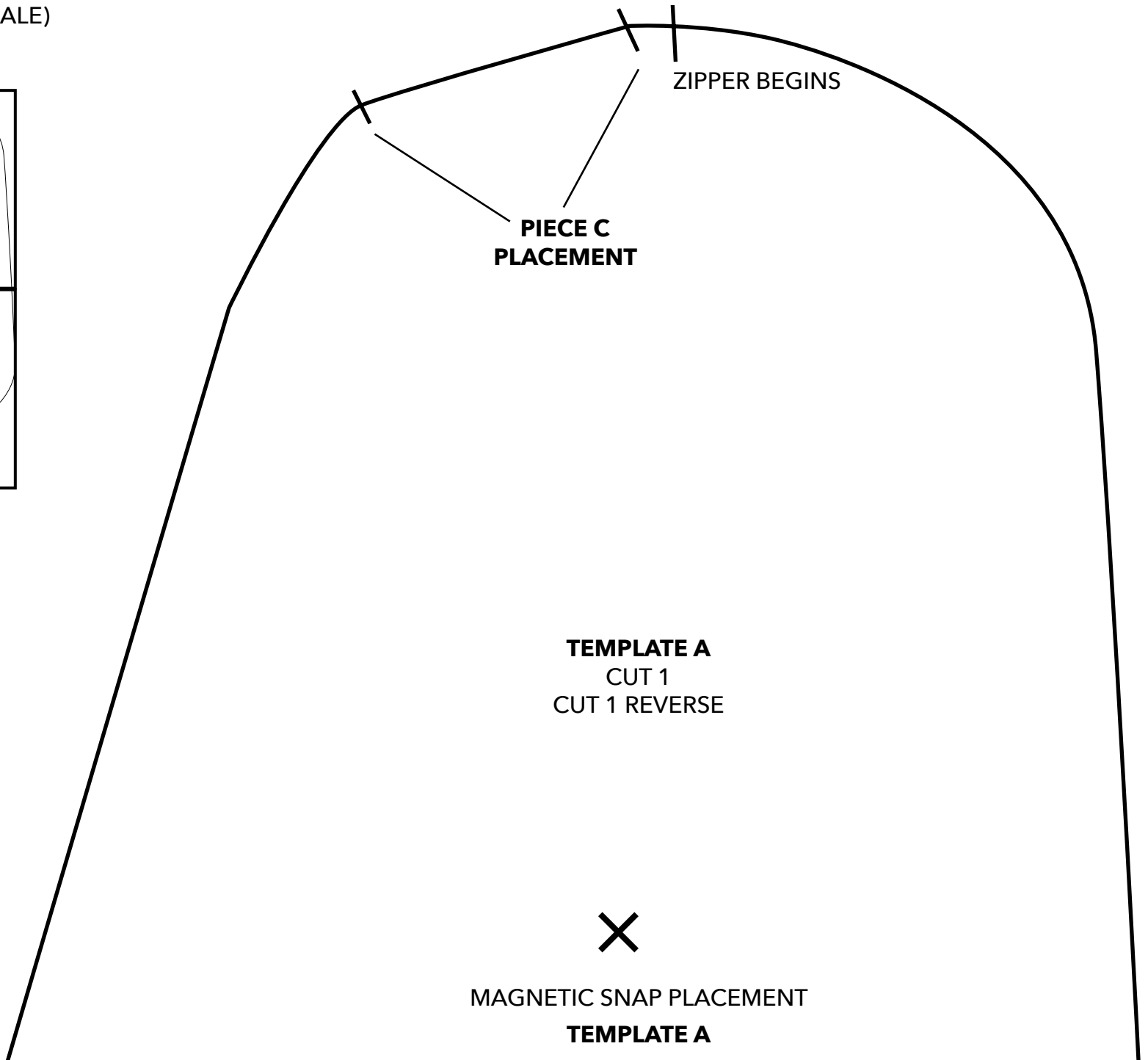


Sling Backpack (TO SCALE)



ASSEMBLY DIAGRAM



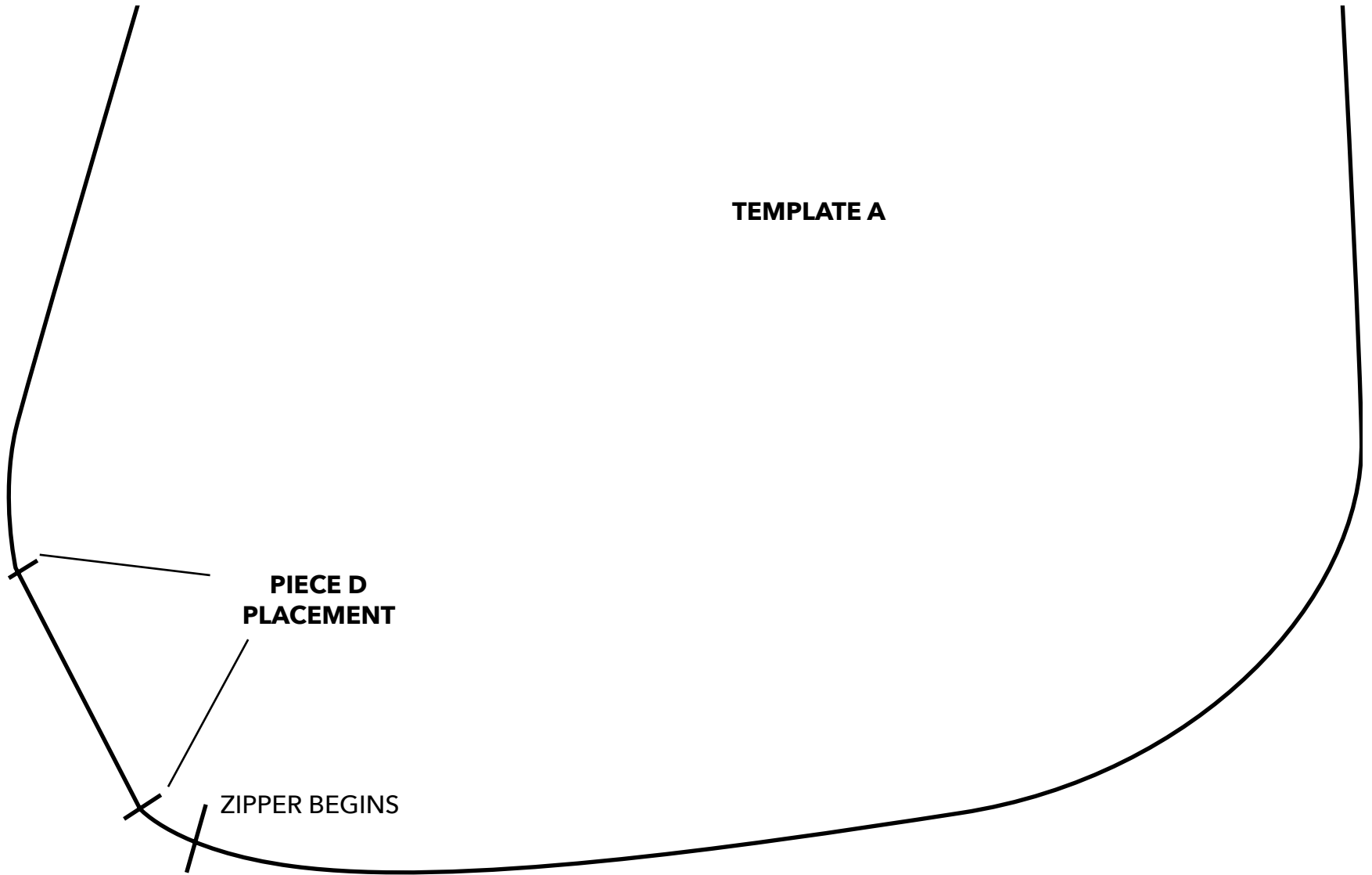
ZIPPER BEGINS

PIECE C
PLACEMENT

TEMPLATE A
CUT 1
CUT 1 REVERSE



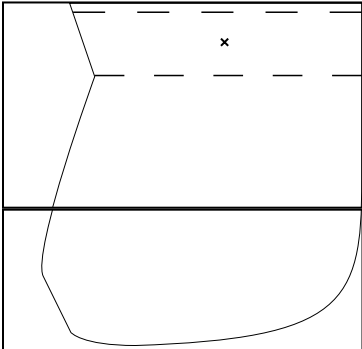
MAGNETIC SNAP PLACEMENT
TEMPLATE A



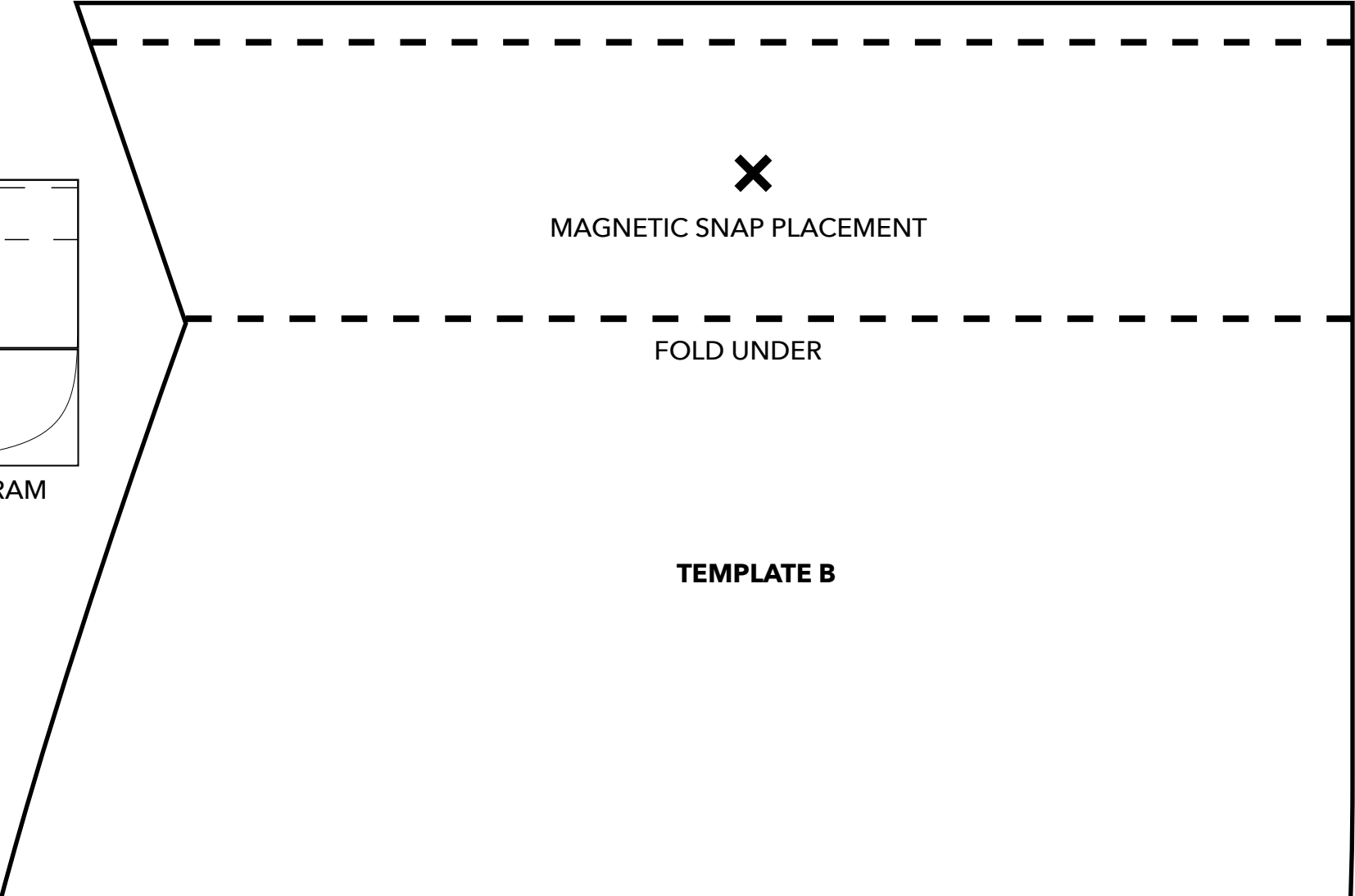
TEMPLATE A

**PIECE D
PLACEMENT**

ZIPPER BEGINS



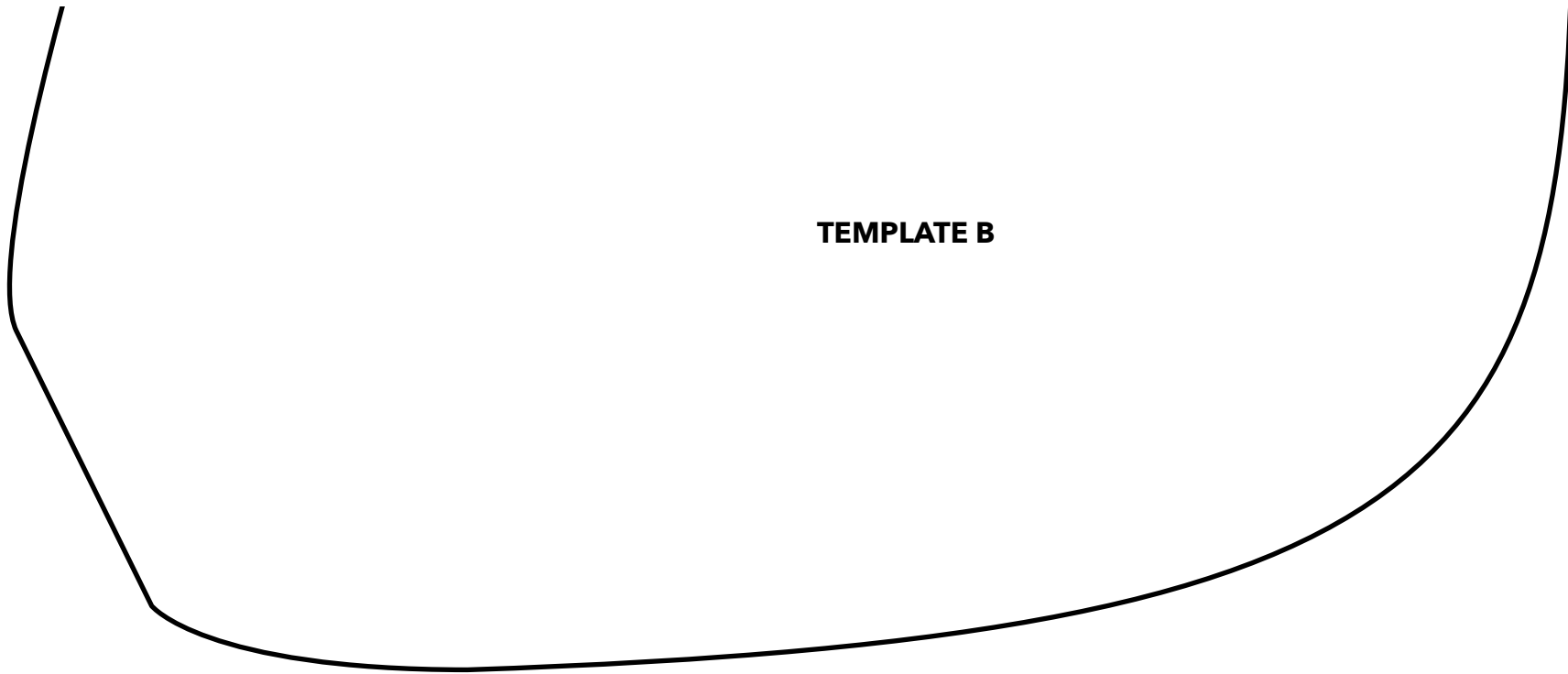
ASSEMBLY DIAGRAM



MAGNETIC SNAP PLACEMENT

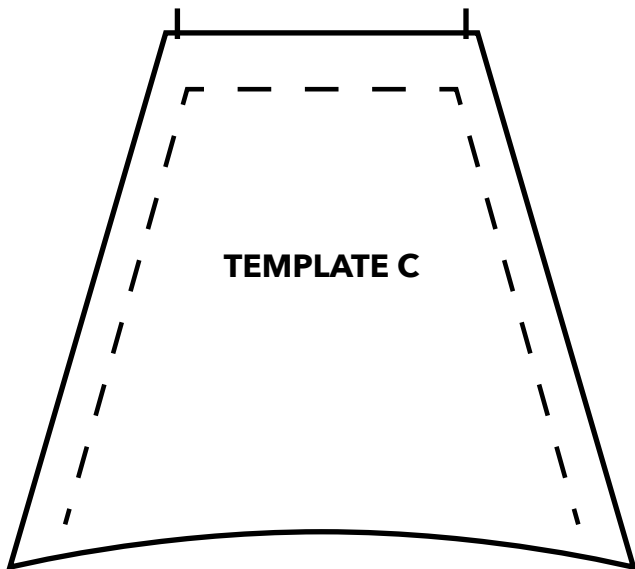
FOLD UNDER

TEMPLATE B



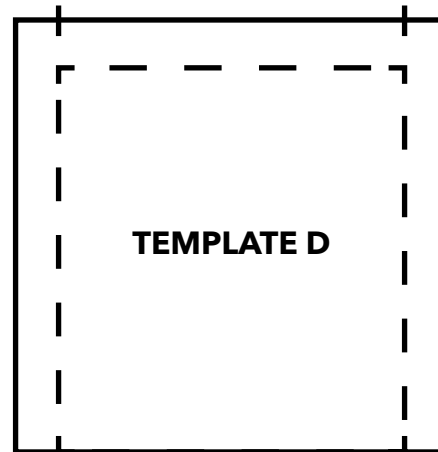
TEMPLATE B

PLACE BELTING
BETWEEN MARKS



TEMPLATE C

PLACE BELTING
BETWEEN MARKS



TEMPLATE D

Sling Backpack (TO SCALE)

JOANN