

CALCULATING YARDAGE FOR DUVET COVER:

(Refer to back page for measuring)

1. Use standard comforter measurements or measure actual comforter adding 1" seam allowance to width and length. Use same measurement for top and lining.

2. Determine how many cut lengths are needed by dividing the total width by the fabric width (54")

	÷	54
Equals total number of lengths	=	

3. Determine total yards needed:

	Total number of lengths	
	Times Total length of duvet	x
	Equals total inches needed	=

Total inches needed divided by 36" (inches in a yard)	÷	36
---	---	----

Equals total yardage needed	=	
-----------------------------	---	--

TO CALCULATE ADDITIONAL YARDAGE FOR PATTERNED FABRIC:

Total number of lengths	
-------------------------	--

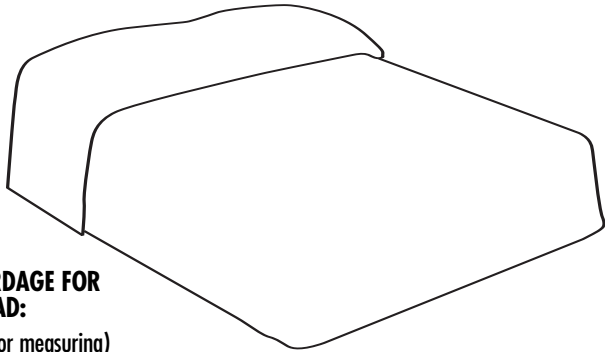
Multiplied by repeat inches	x
-----------------------------	---

Divided by 36" (inches in a yard)	÷
-----------------------------------	---

Equals total additional yardage to match repeat	=
---	---

calculating yardage for a duvet cover

just ask Jo-Ann **how to**



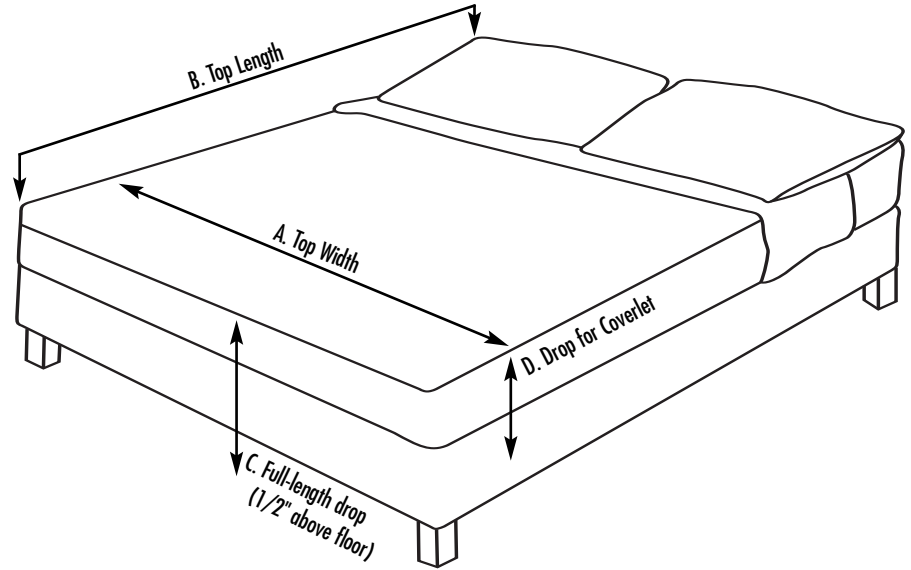
CALCULATING YARDAGE FOR THROW BEDSPREAD:

(Refer to back page for measuring)

1. Measure from edge to edge across mattress (A) _____
2. Measure from top of mattress to 1/2" from floor (C) x2 + _____
3. Add 4" for hem + _____
- Equals total width = _____
4. Measure from head edge of mattress all the way to 1/2" from the floor (B+C) _____
5. Add 14" for pillow tuck-in and 2" for hem + _____
- Equals total length = _____
6. Determine how many cut lengths are needed by dividing the total width by the fabric width (54") ÷ _____ 54
7. Determine total yards needed: Total number of lengths _____
- Times total length of throw x _____
- Equals total inches needed = _____
- Total inches needed divided by 36" (inches in a yard) ÷ _____ 36
- Equals total yardage needed = _____

TO CALCULATE ADDITIONAL YARDAGE FOR PATTERNED FABRIC:

- Total number of lengths _____
- Repeat inches multiplied by number of lengths x _____
- Divided by 36" (inches in a yard) ÷ _____ 36
- Equals total additional yardage to match repeat = _____



Skill Level 2: Some sewing experience needed

Due to seasonal nature of project, supplies are available for a limited time only. Please read all instructions prior to beginning; read and follow all manufacturers' instructions for all tools and materials used. Provide adult supervision if children participate in this and all craft projects. Because Jo-Ann Stores, Inc. has no control over the use of materials and tools, nor surroundings, during construction of projects, Jo-Ann Stores, Inc. disclaims any liability for injury, damage or other untoward results. Content of this project sheet is presented in good faith, but no warranty is given, nor results guaranteed. ©2008 Jo-Ann Stores, Inc. All rights reserved.