

**2** skill level

free



felted door knob organizer

just ask, Jo-Ann **how to**

more projects, tips & techniques at Joann.com™

#### SUPPLIES & TOOLS:

- 1 skein Patons® Classic Wool yarn (100 g / 3.5 oz)
- Crochet hook Size 5 mm (U.S. H or 8) or size needed to obtain tension.

ABBREVIATIONS: [www.patonsyarns.com/glossary](http://www.patonsyarns.com/glossary)

**STITCHES USED:** Chain (ch), Double crochet (dc), Single crochet (sc)

#### DIRECTIONS:

TENSION: 15 sc and 16 rows = 4".

Ch 26.

1st row: (RS). 1 sc in 2nd ch from hook. 1 sc in each ch to end of ch. Turn. 25 sc.

2nd row: Ch 1. 1 sc in each sc to end of row. Turn.

Rep last row until work from beg measures 22", ending with a WS row. Fasten off.

Important to know before felting

- Record all the measurements and changes before and after felting. You will be able to adjust the method to produce proper results.
- Always test a sample. Different colored yarns may felt differently.
- Colorfastness can be affected by very hot water.
- Any crochet that has been properly felted becomes very dense and matted.

#### HOW TO FELT

- Using low water level, run a Hot/Cold cycle for 5 to 15 min. Add a pair of old jeans for agitation.
- Add 2 tablespoons of baking soda for a small load. After one cycle, check for size. Repeat if necessary.
- Run through the rinse and dry spin cycle.
- Do not use a clothes dryer.
- Lay felted piece onto a dry towel, away from direct heat or sunlight.
- Shape piece to correct measurements.
- If an edge ripples, baste a thread through the edge and gather in. Remove the thread after the felting is dry.

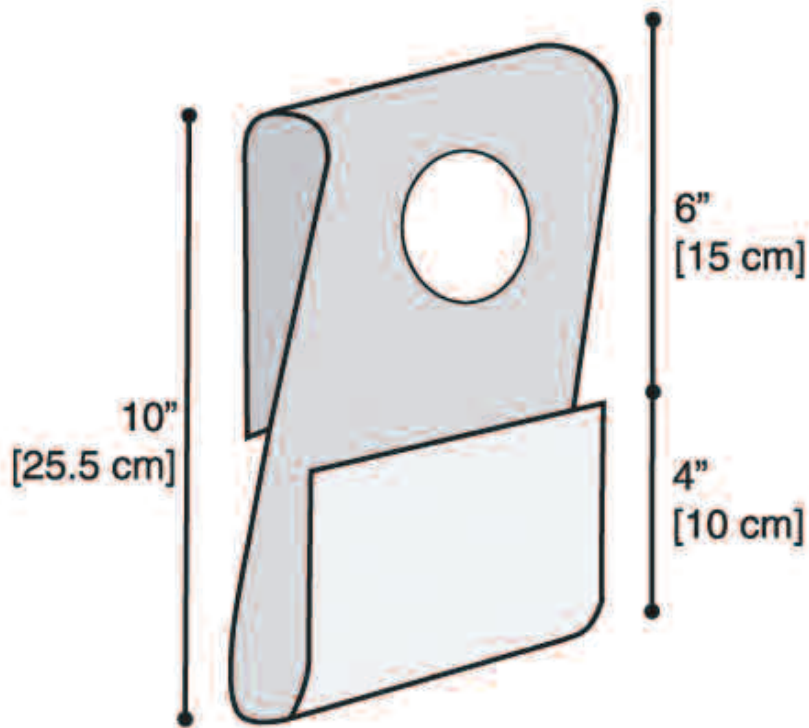
## FINISHING

Felt piece following "How to Felt" instructions.

Shape pieces to measurements. Dry flat away from heat and direct sunlight.

Trim piece if necessary to measurements 5"x20".

Fold bottom 4" to RS to form pocket and top 6" to WS of piece (see Diagram). Blanket st through both thicknesses along sides of piece. Trace a 2" diameter circle 1½" down from top fold and carefully cut it out. Blanket st around "hole".



Skill Level 2: Some crochet experience needed

Please read and follow all manufacturers' instructions for all tools and materials used.  
Provide adult supervision if children participate in this project.  
©2009 Jo-Ann Stores, Inc. All rights reserved.

**JO-ANN**  
fabric and craft stores®

P010-052